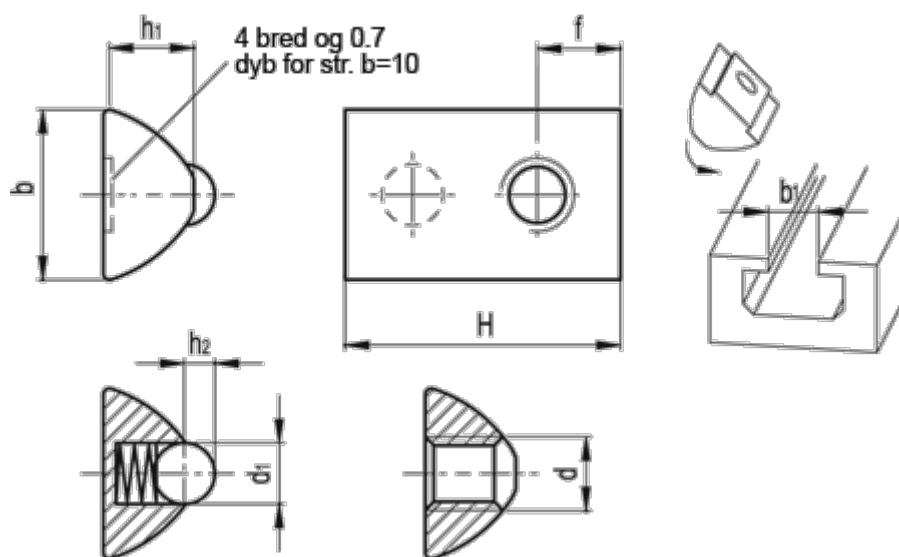


Article number: 20080393A1  
 Description: E+G T-nut with guide step  
 GN 506.1-14-M4-NI  
 Note: Stainless steel AISI 303

## Measures



b = 14 -0.2  
 b1 = 8  
 d = M4  
 d1 = 5  
 f = 6.8  
 H +0.5 = 22.5  
 h1 = 7.40  
 h2 = 1.7

Weight (g) = 11